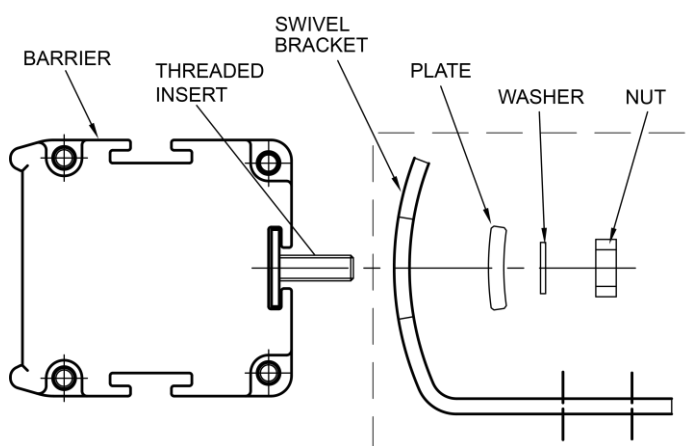


## Set of 4/6 SFB 4SG / SFB 6SG adjustable fixing brackets

The present technical sheet is provided with the **SFB 4SG / SFB 6SG** adjustable fixing brackets set, to permit the customer to have the correct instructions about the fixing of these brackets on the SAFEGATE series light curtains.

### ASSEMBLING THE BRACKETS WITH THE BARRIER

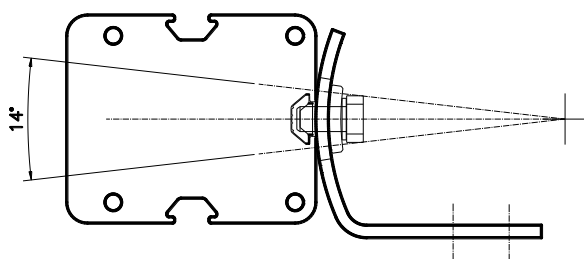
- Lodge the threaded insert provided with the barrier in the guide on the back of the profile.
- Mount the adjustable brackets on the profile following the scheme of Figure 1.
- Fix the bracket to the barrier tightening the plate, the washer and the nut.
- **THE COMPONENTS INSIDE THE DASHED BOX ARE CONTAINED IN THE FITTING BOX OF THE SFB 4SG / SFB 6SG BRACKETS.**



| Code    | Model   | Description              |
|---------|---------|--------------------------|
| 1390950 | SFB 4SG | Set of 4 fixing brackets |
| 1390951 | SFB 6SG | Set of 6 fixing brackets |

Figure 1

### ADJUSTMENT



**Centre mounting of the adjustable bracket.**

**Fine 14 degrees adjustment is available.**

Figure 2

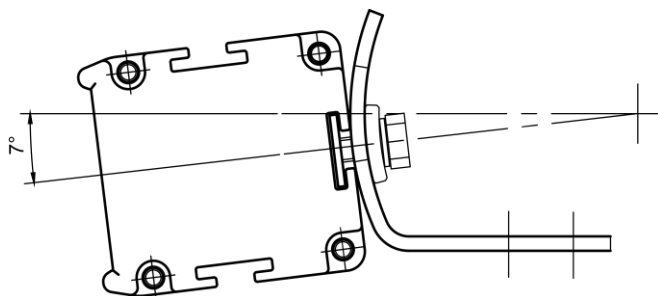


Figure 3

**Adjustable bracket fixing with 7° left orientation.**

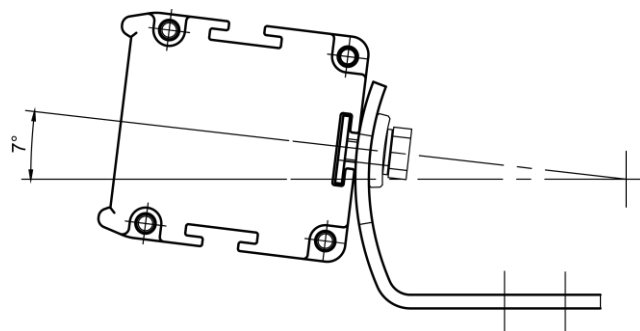


Figure 4

**Adjustable bracket fixing with 7° right orientation.**